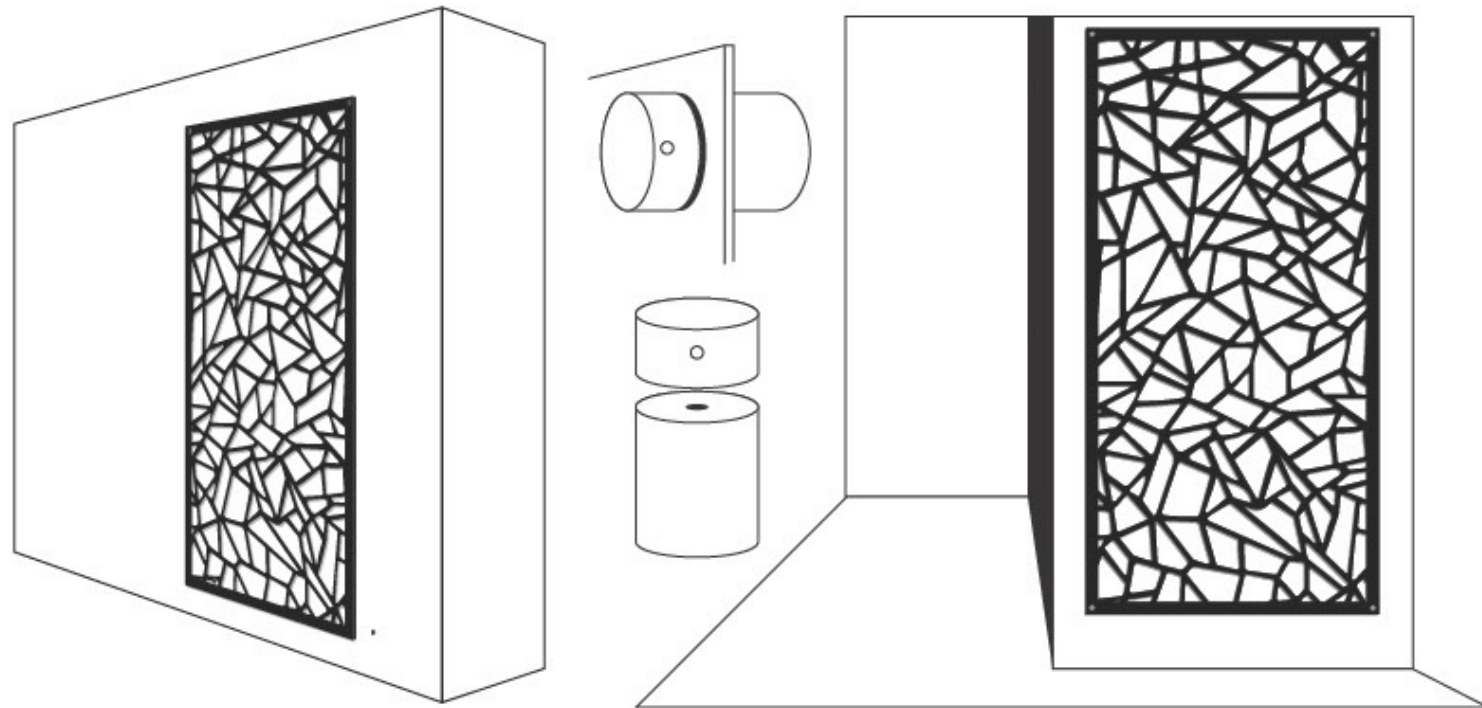


Stand-Off



Option 1

Recommended for installation in front of wall
Single Sided Panels

Standard Stand-Off Depth: 1" (Additional depth options available)

Standard Stand-Off Color: Brushed Steel (Additional color options available)

Freestanding



Option 2

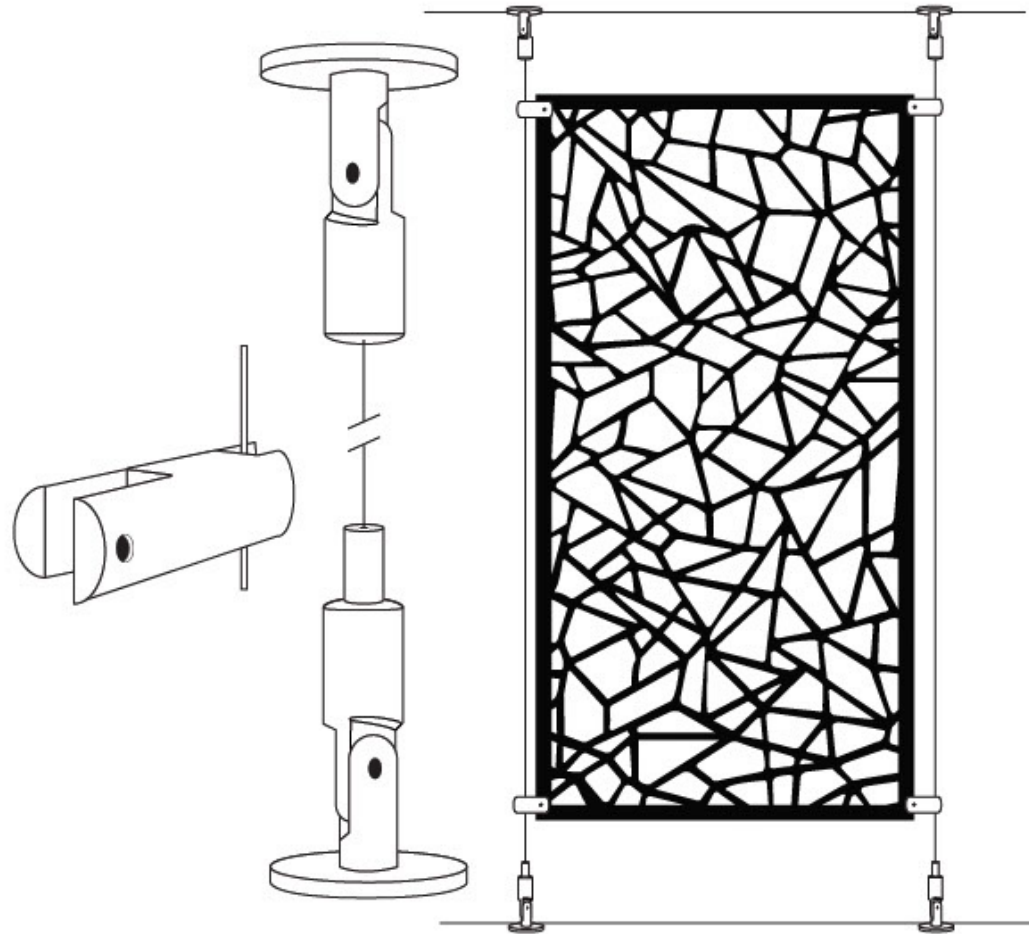
Recommended for Double Sided Panel

Standard Available Heights: 72", 84", 96"

Standard Hardware Color: Silver, Black

Part Number: SKM

Floor to Ceiling



Option 3

Recommended for Single or Double Sided Panel

Provided with 13' cable for each side

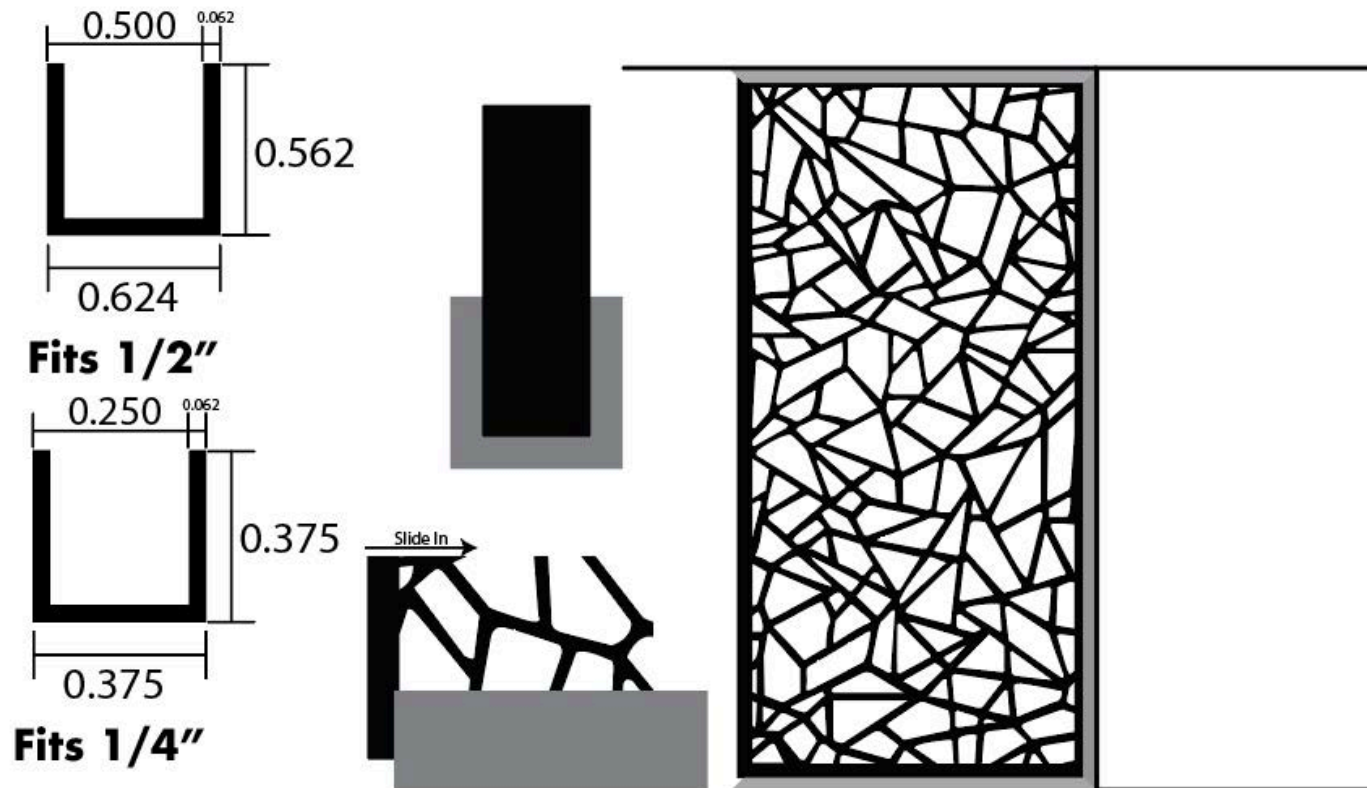
Standard Hardware Finish: Polished Chrome, Satin Chrome

3mm Cable Finish: Stainless Steel

Part Number: OCSK-FC

Side Clamp Part Number: OCSK-SSGC

Floor to Ceiling with Sidewall



Option 4

Recommended for Double Sided Panel

Rails Provided in 12' Length (Can be unscrewed and/or cut at job site)

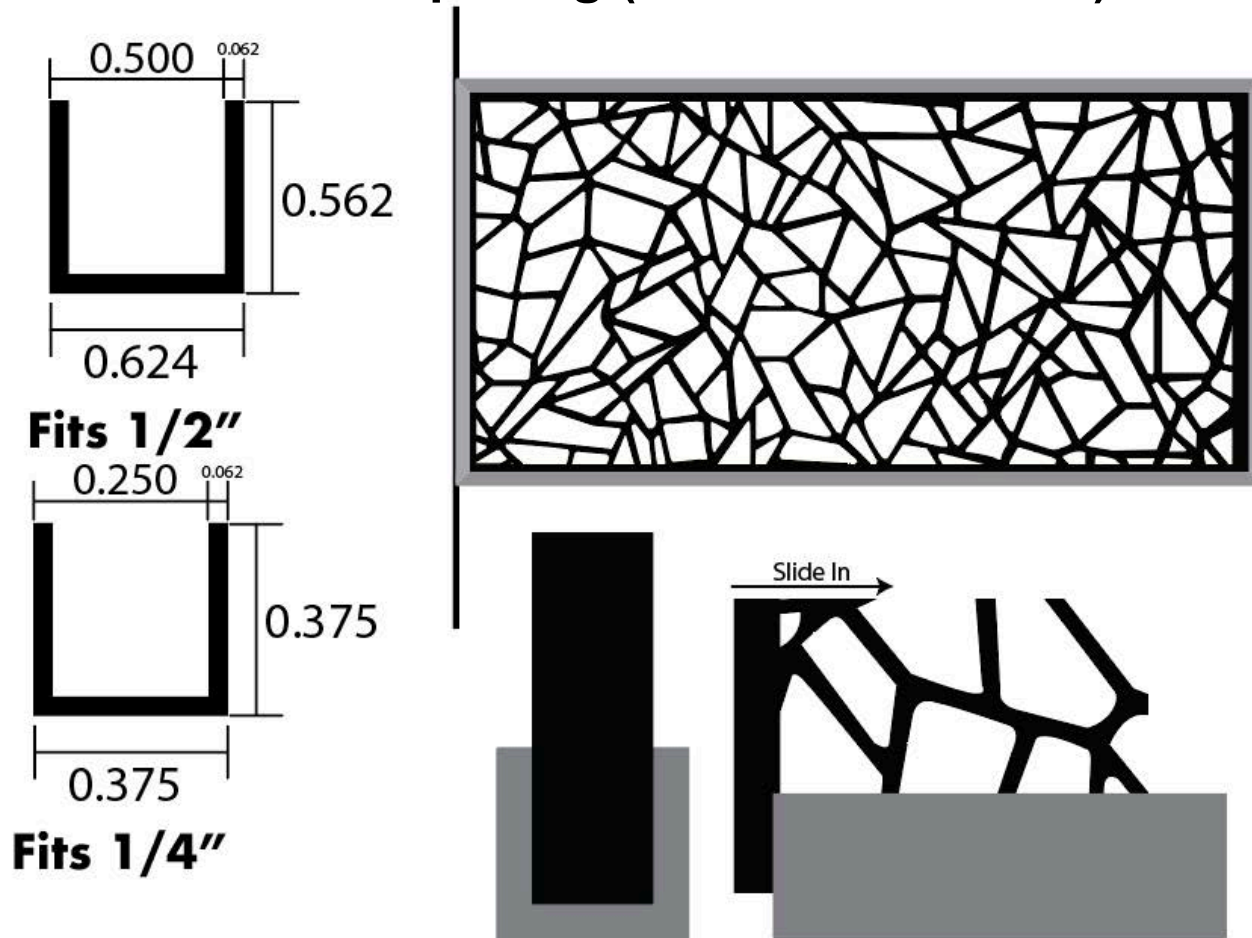
Standard Hardware Finish: Polished Chrome, Satin Chrome

Channel Openings Available: 3/8", 5/8", 3/4"

1/4" Part Number: OA44782

1/2" Part Number: OA44847

Window Opening (New Construction)



Option 5

Recommended for Double Sided Panel

Rails Provided in 12' Length (Can be unscrewed and/or cut at job site)

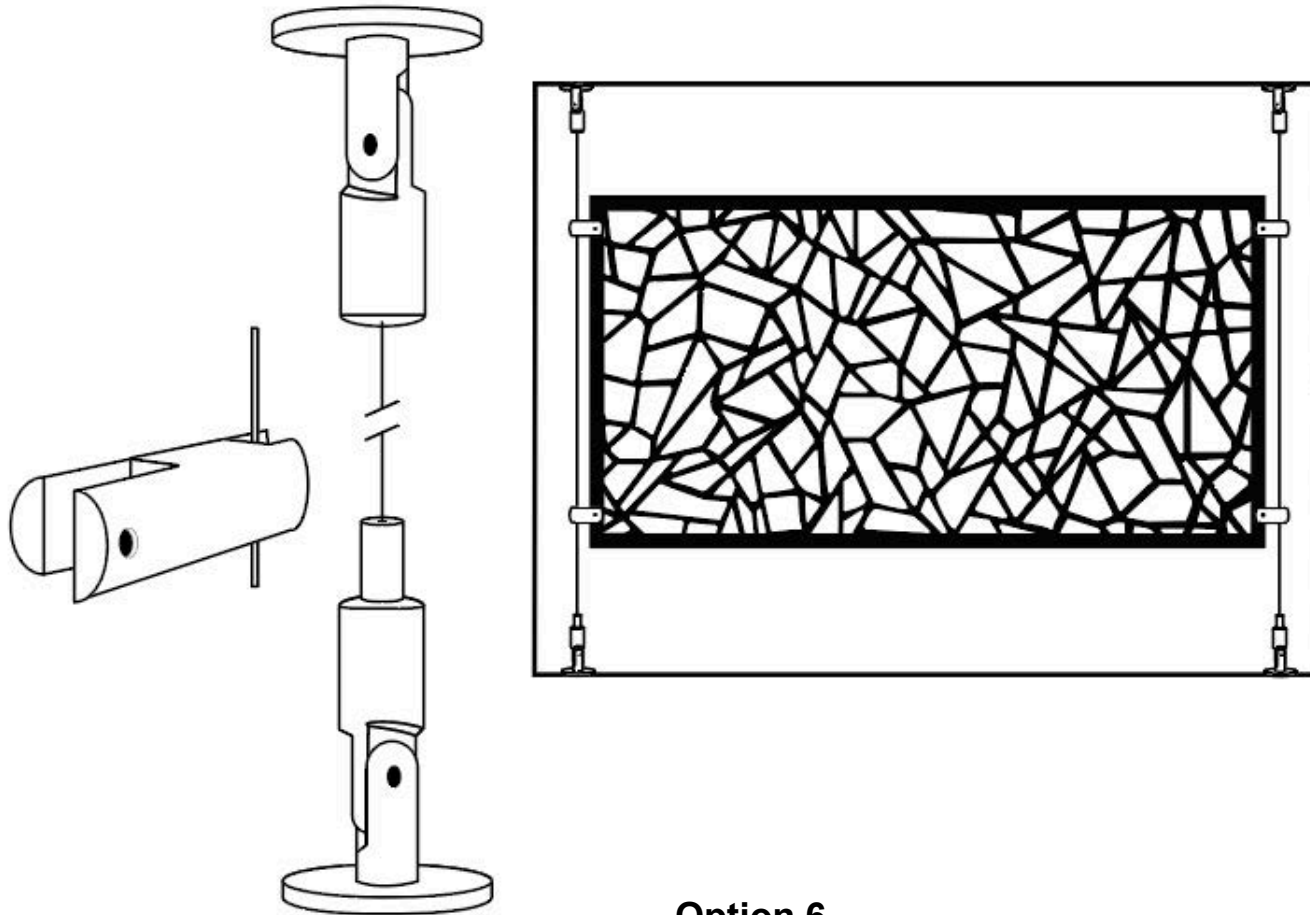
Standard Hardware Finish: Polished Chrome, Satin Chrome

Channel Openings Available: 3/8", 5/8", 3/4"

1/4" Part Number: OA44782

1/2" Part Number: OA44847

Window Opening (Existing)



Option 6

Recommended for Single or Double Sided Panel

Provided with 13' cable for each side

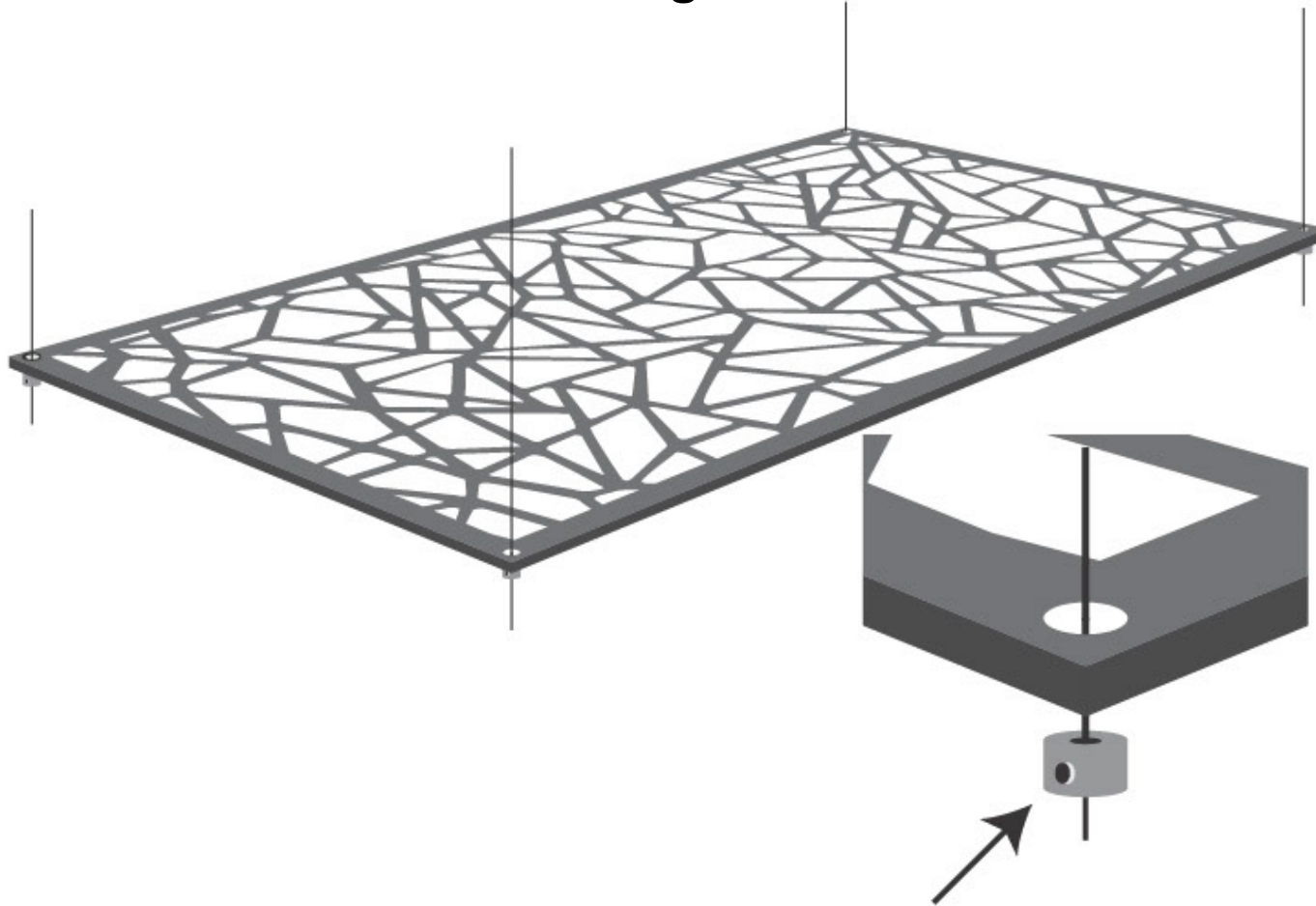
Standard Hardware Finish: Polished Chrome, Satin Chrome

3mm Cable Finish: Stainless Steel

Part Number: OCSK-FC

Side Clamp Part Number: OCSK-SSGC

Ceiling Panel



Option 7

Recommended for Single Sided Panel

Provided with 13' cable for each side (Can be trimmed at jobsite)

Standard Hardware Finish: Polished Chrome, Satin Chrome

3mm Cable Finish: Stainless Steel

Part Number: OCSK-FC

Side Clamp Part Number: OCSK-UM